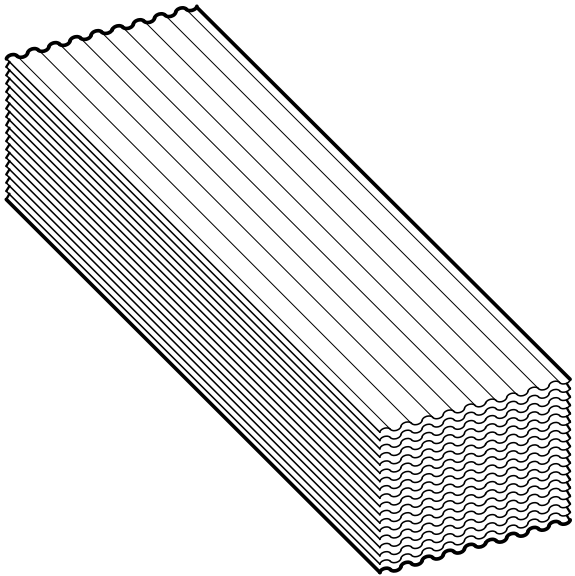
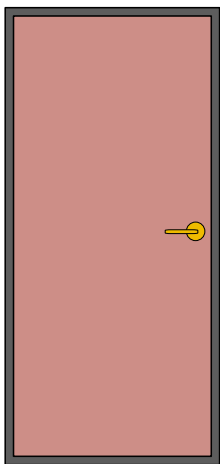


# Sponsor the cost of a piece of construction of a school



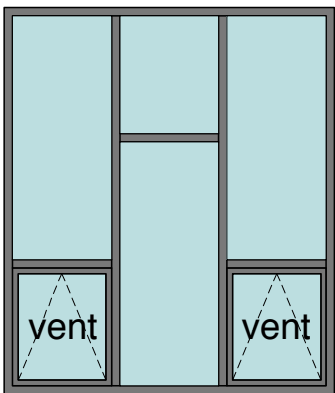
## A Load of Sheet Metal Roofing:

enough for the roof of the complete school.....	\$2,000
enough for 3 classrooms.....	\$750
enough for 1 classroom.....	\$250



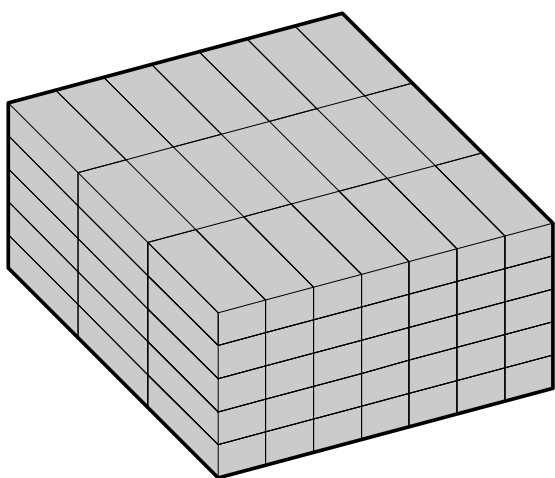
## Doors: quality local hardwood solid wood construction. Complete with door frame and metal hardware:

all 9 doors for the school.....	\$1,800
3 doors.....	\$600
1 door.....	\$200



## Windows: 3/16" glass in painted metal frame. With 2 vents per window;

all 30 windows of the school.....	\$4,500
one building's windows (6).....	\$900
1 window.....	\$150



## A Load of Concrete Bricks: 1 Brick = \$1.00

enough to build the complete school.....	\$3,500
one building's (Classroom 1,2) bricks.....	\$1,200
one classroom wall.....	\$100